

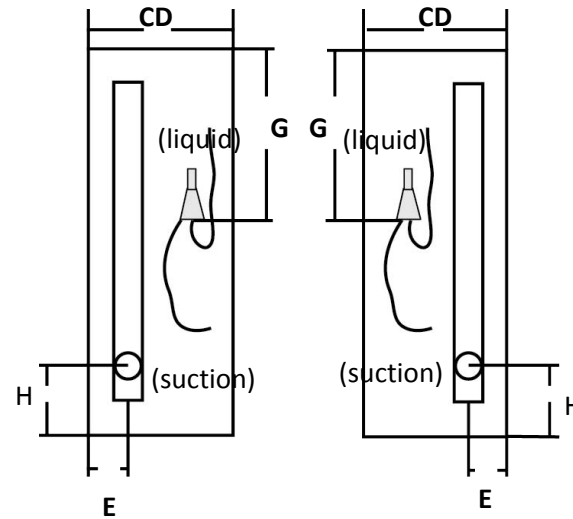
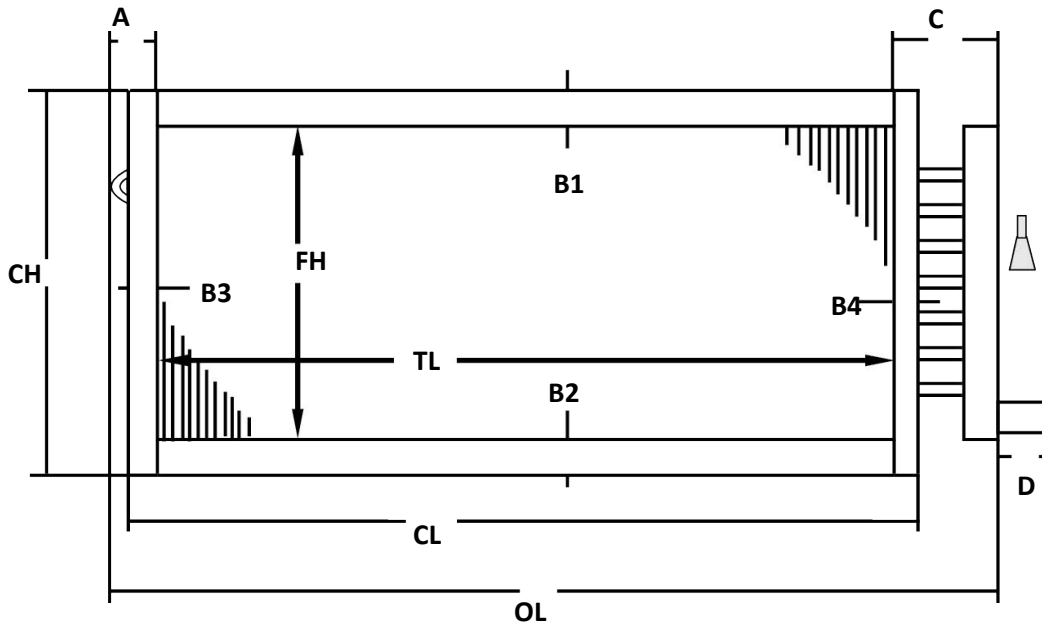
Name:	OEM Unit Model #
Company:	OEM Coil Model #
Phone:	Project:
Email:	Tag:

# DX Evaporator Coil

(800) 523-7590  
 salessupport@coilcompany.com  
 www.coilcompany.com



**Coil Dimensions and Specifications:** (Please include detail photos of the coils and header sections - if available)



**\*\*Circle Header End Matching Your Coil\*\***

**Header Material:**

Copper

# Tubes out from distributor: \_\_\_\_\_

**Flange Type:**

- Standard
- Stacking
- Inverted Flange

**\*Casing Material: (check one)**

- Galv Steel 16 ga
- Stainless Steel 16 ga

*Rows	*FPI	*FH	*TL	CH	CL	CD	OL	A	B1	B2	B3	B4	C	D	E	G	H		

\* Asterisk items are minimum required for price

**Notes:**

<p><b>COPPER</b></p> <p>* TUBE TUBE FIN O.D. Thick Thick</p> <p><input type="checkbox"/> 3/8" .014 .005</p> <p><input type="checkbox"/> 1/2" .016 .006</p> <p><input type="checkbox"/> 5/8" .020 .006</p> <p>Other _____</p>	<p><b>*Fin Material:</b></p> <p>Aluminum (std)</p> <p>Copper</p>	<p><b>Refrigerant Type: (choose one)</b></p> <p>R-22</p> <p>R-410A</p> <p>Other: _____</p>	<p>Liquid O.D. _____</p> <p>Suction O.D. _____</p> <p><input type="checkbox"/> H.G.B.P</p>
	<p><b>Connection Material:</b></p> <p>Copper</p>	<p><b>Tonnage &amp; CFM:</b></p> <p>_____</p>	

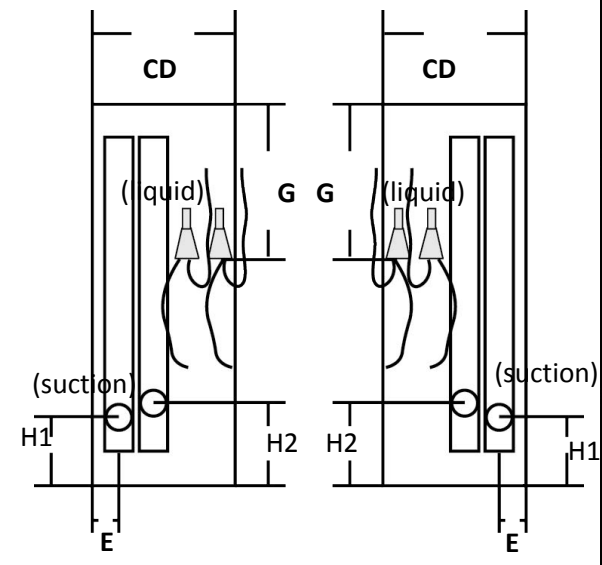
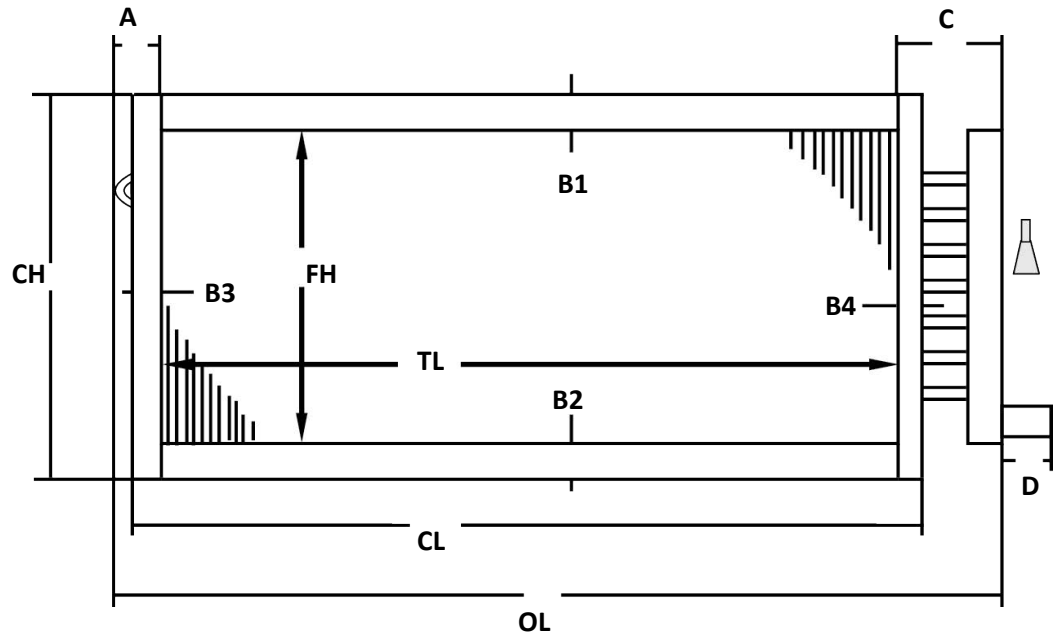
Name:	OEM Unit Model #
Company:	OEM Coil Model #
Phone:	Project:
Email:	Tag:

# DX Evaporator Coil Intertwined

(800) 523-7590  
 salessupport@coilcompany.com  
 www.coilcompany.com



**Coil Dimensions and Specifications:** (Please include detail photos of the coils and header sections - if available)



**\*\*Circle Header End Matching Your Coil\*\***

**Header Material:**  
Copper

**# Tubes out from distributor:**

**Flange Type:**  
 Standard   
 Stacking   
 Inverted Flange

**\*Casing Material: (check one)**  
 Galv Steel 16 ga  
 Stainless Steel 16 ga

*Rows	*FPI	*FH	*TL	CH	CL	CD	OL	A	B1	B2	B3	B4	C	D	E	G1	G2	H1	H2

\* Asterisk items are minimum required for price

**Notes:**

<p><b>* COPPER</b></p> <table border="1"> <thead> <tr> <th>TUBE O.D.</th> <th>TUBE Thick</th> <th>FIN Thick</th> </tr> </thead> <tbody> <tr> <td><input type="checkbox"/> 3/8"</td> <td>.014</td> <td>.005</td> </tr> <tr> <td><input type="checkbox"/> 1/2"</td> <td>.016</td> <td>.006</td> </tr> <tr> <td><input type="checkbox"/> 5/8"</td> <td>.020</td> <td>.006</td> </tr> <tr> <td colspan="3">Other _____</td> </tr> </tbody> </table>	TUBE O.D.	TUBE Thick	FIN Thick	<input type="checkbox"/> 3/8"	.014	.005	<input type="checkbox"/> 1/2"	.016	.006	<input type="checkbox"/> 5/8"	.020	.006	Other _____			<p><b>*Fin Material:</b>          Aluminum (std)          Copper</p>	<p><b>Refrigerant Type: (choose one)</b>          R-22          R-410A          Other: _____</p>	<p><b>Liquid O.D.</b>          _____  <b>Suction O.D.</b>          _____  <input type="checkbox"/> H.G.B.P</p>
	TUBE O.D.	TUBE Thick	FIN Thick															
	<input type="checkbox"/> 3/8"	.014	.005															
<input type="checkbox"/> 1/2"	.016	.006																
<input type="checkbox"/> 5/8"	.020	.006																
Other _____																		
<p><b>Connection Material:</b>          Copper</p>	<p><b>Tonnage &amp; CFM:</b>          _____</p>																	

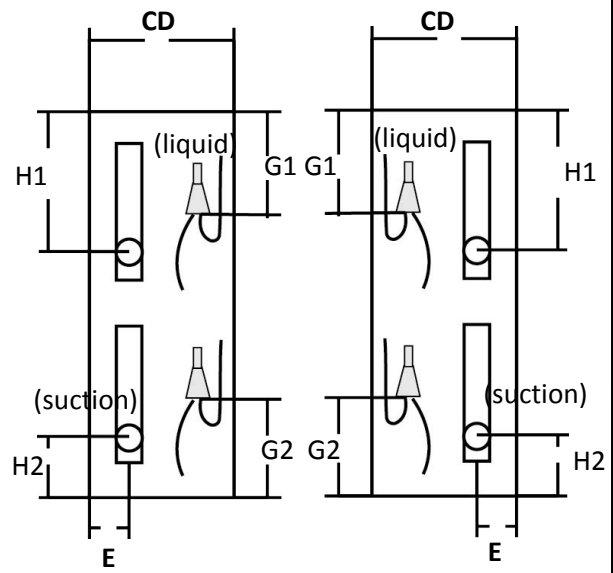
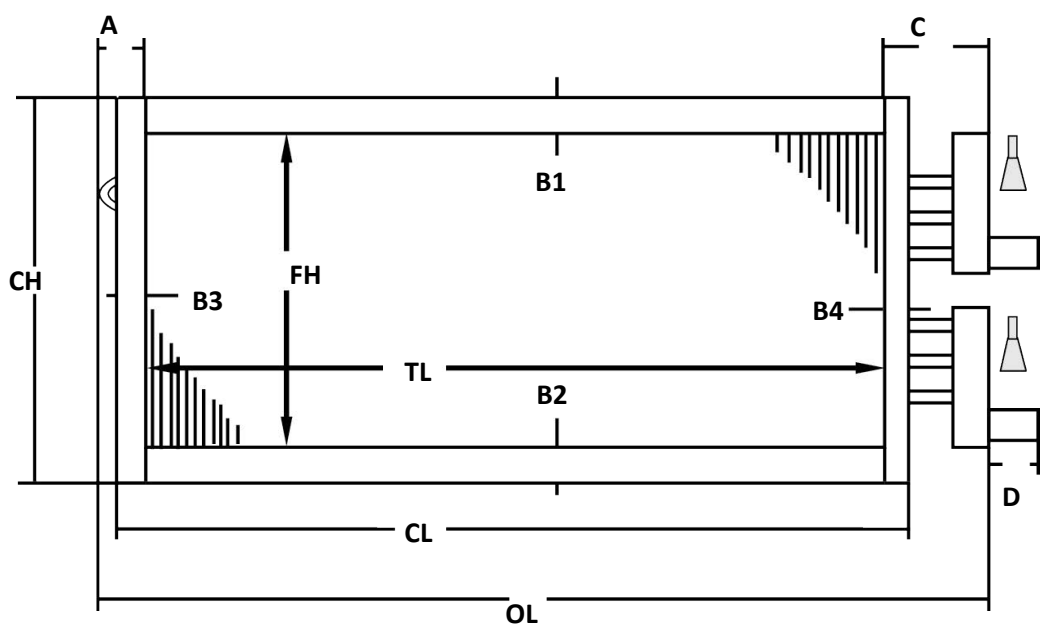
Name:	OEM Unit Model #
Company:	OEM Coil Model #
Phone:	Project:
Email:	Tag:

# DX Evaporator Coil Face Split

(800) 523-7590  
 salessupport@coilcompany.com  
 www.coilcompany.com



**Coil Dimensions and Specifications:** (Please include detail photos of the coils and header sections - if available)



**\*\*Circle Header End Matching Your Coil\*\***

**Header Material:**  
Copper

**# Tubes out from distributor:**

**Flange Type:**  
 Standard   
 Stacking   
 Inverted Flange

**\*Casing Material: (Check One)**  
 Galv Steel 16 ga  
 Stainless Steel 16 ga

*Rows	*FPI	*FH	*TL	CH	CL	CD	OL	A	B1	B2	B3	B4	C	D	E	G1	G2	H1	H2

\* Asterisk items are minimum required for price

**Notes:**

<b>* COPPER</b> <b>TUBE TUBE FIN</b> <b>O.D. Thick Thick</b> <input type="checkbox"/> 3/8" .014 .005 <input type="checkbox"/> 1/2" .016 .006 <input type="checkbox"/> 5/8" .020 .006 <b>Other</b> _____	<b>*Fin Material:</b> Aluminum (std) Copper	<b>Refrigerant Type: (choose one)</b> R-22 R-410A Other: _____	<b>Liquid O.D.</b> _____ <b>Suction O.D.</b> _____ <input type="checkbox"/> H.G.B.P
	<b>Connection Material:</b> Copper	<b>Tonnage &amp; CFM:</b> _____	